

Friction Washer series FA

The friction washer consists of a double-walled trough with an inclined fast running paddle rotor to dewater and clean ground material (film flakes, granules and similar materials). The paddle rotor is fixed at the housing by two bearings and enclosed by a screen. The ground material and the water are fed at the lower end of the trough. The material is washed while being transported to the outlet at the top of the trough. Fines and water are thrown through the screen to the outside while the friction of the paddle rotor cleans the material. The centrifuged drain is discharged at the bottom of the trough. The trough is equipped with a removable screen with a standard screen hole size of 2.5 mm. A rinsing device ensures the automatic cleaning of the screen and of the inner housing. The friction washer is used to wash highly contaminated film flakes for example. Furthermore, it is used after wet granulators to exchange the water before entering the following process step. Further applications are cases where the friction washer is installed in front of or after washing tanks and hydrocyclone separation units.



Fig. 1: Friction Washer series FA 3000

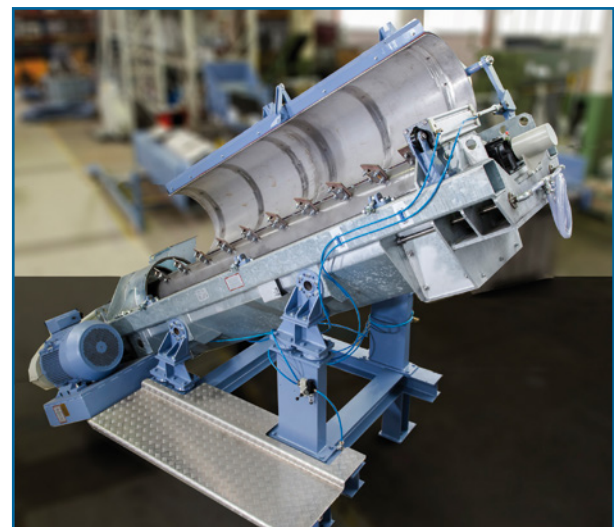


Fig. 2: Friction Washer series FA 60/300 open with step for maintenance.

Technical characteristics		
Type	FA 3000	FA 60/300
Access to rotor chamber	Access panels with quick release clamps	Pneumatically hingeable upper part with quick release clamps
Operating principle	Centrifugal force for washing and rinsing with water	
Foreign material separation	Separation of contaminations like ravelled labels and dirt	
Replaceable wear parts	Removeable paddles at the rotor and easily removeable screen	
Rinsing with hollow shaft	Yes, optional	No
Standard material	Housing in stainless steel, rotor in mild steel	Housing galvanized, rotor in mild steel
Bearing	Flange bearing	Pillow block bearing

Technical data		
Type:	FA 3000	FA 60/300
Rotor length: (mm)	3000	3000
Paddel rotor diameter: (mm)	500	600
Rotor speed: (rpm)	1000	1000
Standard screen hole size: (mm)	2,5	2,5
Max. screen hole size: (mm)	3	3
Standard drive: (kW)	18,5	22-37
Drives: (kW)	11-22	30-45
Weight: (kg)	1300	3400
Throughput approx. : (t/h) *		
HDPE	3,5	6
LDPE	2	3
PET	3,5	6

* Specifications are not binding, as the throughput depends on the infeed material and the material size.

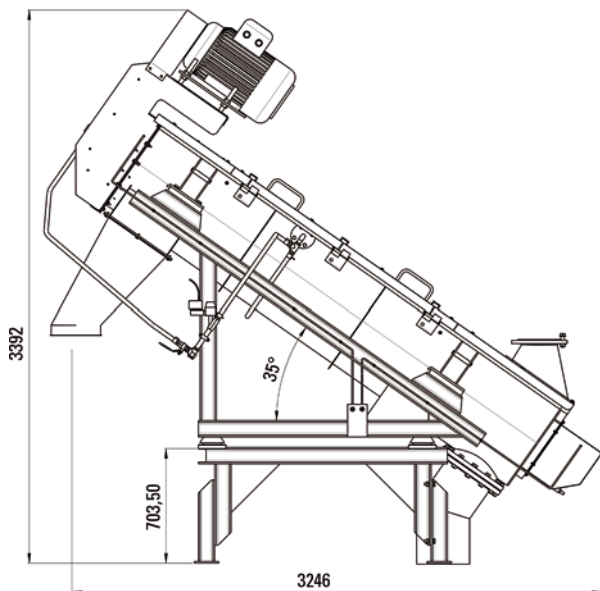


Fig. 3: Friction Washer series FA 3000

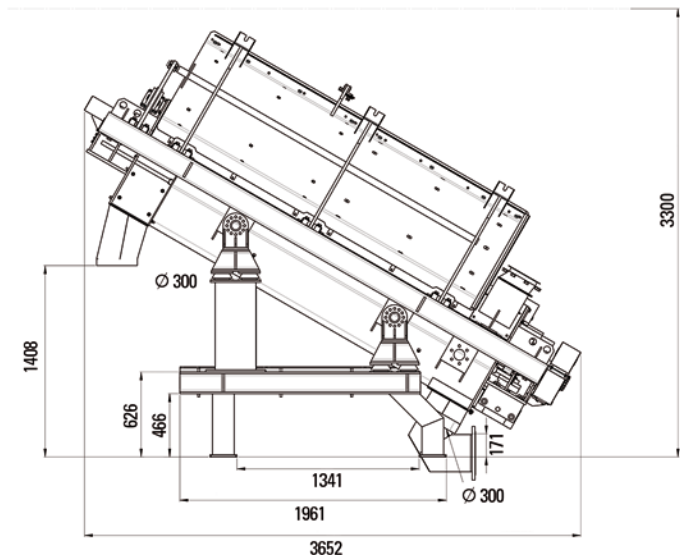


Fig. 4: Friction Washer series FA 60/300



Our Product Range

- Guillotines
- Shredders
- Hammer mills
- Granulators
- Pulverizing systems
- Washing systems & components
- Plastcompactors/agglomerators

Herbold Meckesheim GmbH

Industriestr. 33
74909 Meckesheim
Postfach 1218
74908 Meckesheim
Deutschland
Tel.: + 49 (0) 6226/932-0
Fax: + 49 (0) 6226/932-495
E-Mail: herbold@herbold.com
Internet: www.herbold.com

Our subsidiary:

Herbold Meckesheim USA Resource Recycling Systems Inc.

130 Industrial Drive
North Smithfield, RI 02896, USA
P.O. Box 239
Slatersville, RI 02876, USA
Tel.: +1 401 597/5500
Toll-free (US/CDN): +1 888/612 RRSI (7774)
Fax: +1 401 597/5535
E-Mail: info@herboldusa.com
Internet: www.herboldusa.com