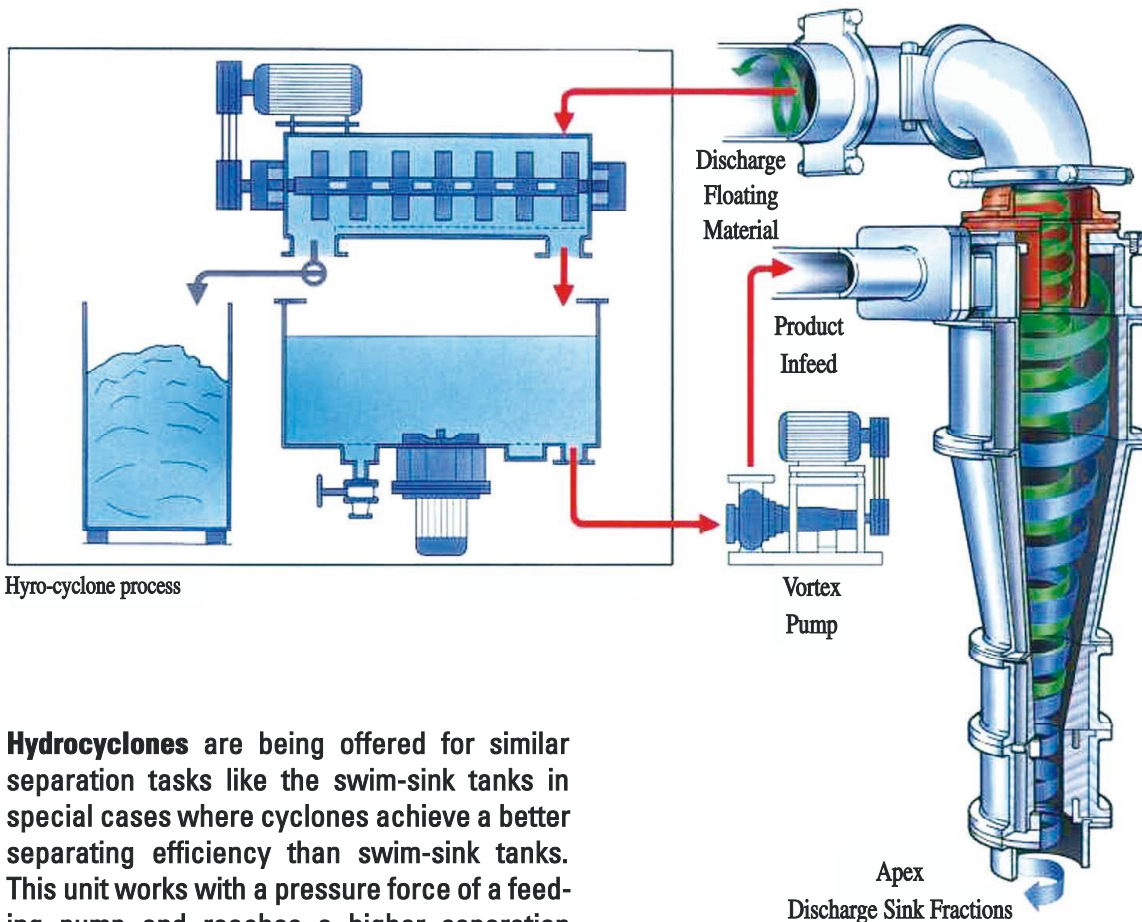


HERBOLD



Hydrocyclones



Hydro-cyclone process

Hydrocyclones are being offered for similar separation tasks like the swim-sink tanks in special cases where cyclones achieve a better separating efficiency than swim-sink tanks. This unit works with a pressure force of a feeding pump and reaches a higher separation effect (approx. 20 times earth's gravity) by using the rotational forces of the moving water. The PE/PP material is leaving the Hydrocyclone at the upper end with the mainstream of the water, sinking material, PET, at the lower end with only small amounts of water. By choosing the nozzle sizes at the outlets of the cyclone the selectivity can be adjusted. Necessary equipment of a hydrocyclone circuit is a mixing tank (turbo washer), a feeding hydro. –

Heavy medium hydrocyclone

*H400 is a heavy duty flat bottom type cyclone for separation of glass, metal and stones in PVC or PET applications in front of a hydrocyclone. This unit comes with a discontinuous discharge with a double gate valve (pneumatically operated) and stainless steel construction.

Special Features:

- Replaceable apex on discharge
- Optional insulated cylinder housing for heated water

| Technical data: | | | |
|---------------------------|---------------|----------|----------|
| Model | D 250 | D 350 | D 550 |
| Diameter (mm) | 250 | 350 | 550 |
| Stainless steel execution | Charged extra | | |
| Vortex Pump (kW) | 15 | 30 | 45 |
| Platform | optional | optional | optional |
| Throughput (t/h) | | | |
| PET / PVC | 1.5 | 2.5 | 3.5 |
| HDPE | 1.5 | 2.5 | 3.5 |
| LDPE | N/A | 0.8 | 1.8 |

Units in MM

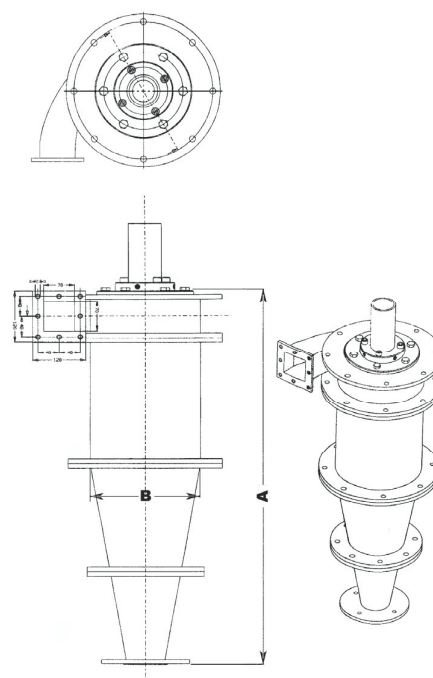
| Model | A | B |
|-------|------|-----|
| D 250 | 852 | 250 |
| D 350 | 1430 | 350 |
| D 500 | 1994 | 500 |

Units in Inch

| Model | A | B |
|-------|------|----|
| D 250 | 33.5 | 10 |
| D 350 | 56.3 | 15 |
| D 500 | 78.5 | 20 |



Heavy medium hydrocyclone



Our product range

- Granulators
- Pulverizing Systems
- Shredders
- Hammer Mills
- HOG Shredders
- Guillotines
- Washing Systems
- Plastcompactors

Herbold Meckesheim GmbH

Industriestr. 33
 D-74909 Meckesheim
 Postfach 1218
 D-74908 Meckesheim
 Tel.: + 49 (0) 6226/932-0
 Fax: + 49 (0) 6226/932-495
 E-Mail: Herbold@Herbold.com
 Internet: www.Herbold.com

Herbold Meckesheim USA
 Resource Recycling Systems Inc.

P.O. Box 239
 Slatersville
 Rhode Island 02876
 Phone: + 1 401-597-5500
 Fax: + 1 401-597-5535
info@HerboldUSA.com
www.HerboldUSA.com