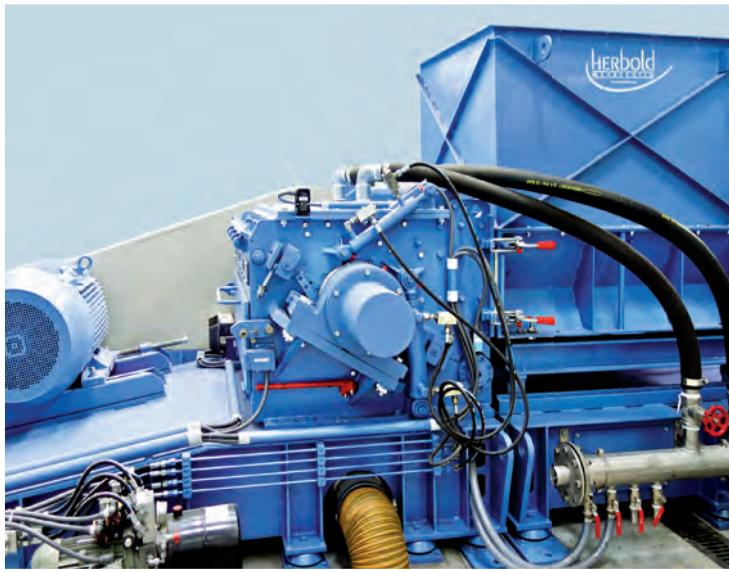


SB Series

EXCELLENT PERFORMANCE DUE TO HORIZONTAL FEEDING

- High throughputs
- Low energy consumption
- Low noise emission
- Dry and wet grinding

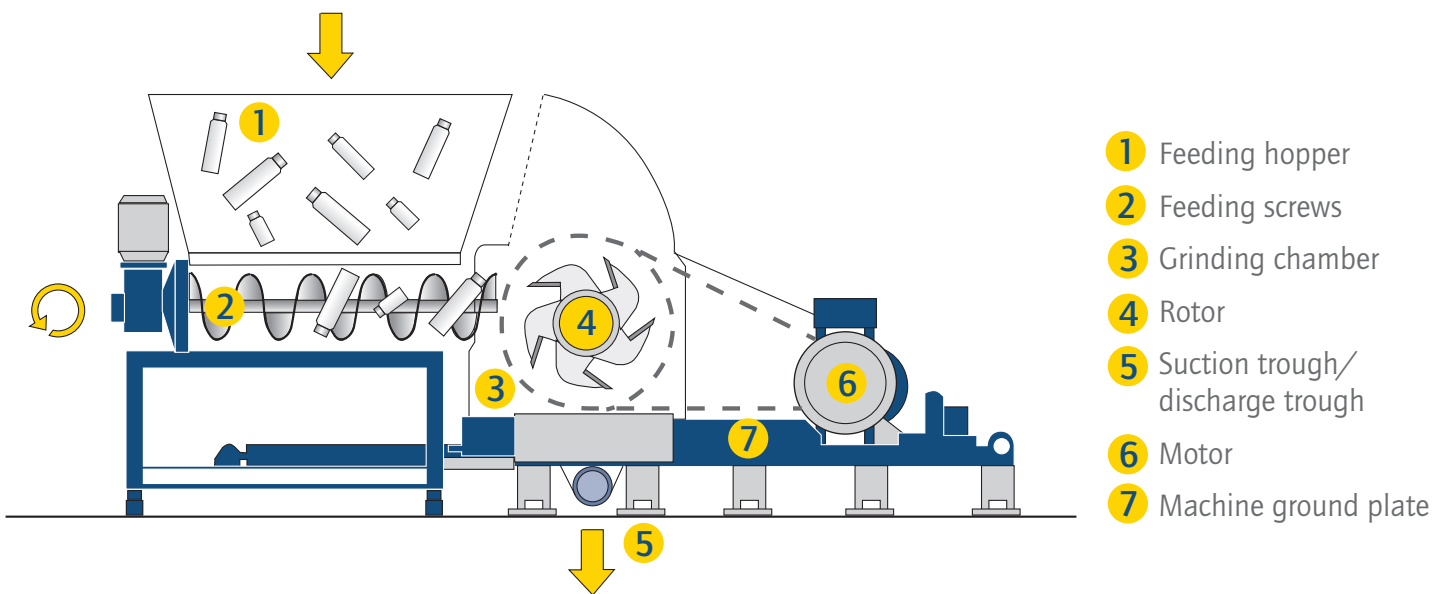




Granulator SML 60/100 SB in wet execution



Optimal access for cleaning and maintenance



- 1 Feeding hopper
- 2 Feeding screws
- 3 Grinding chamber
- 4 Rotor
- 5 Suction trough/
discharge trough
- 6 Motor
- 7 Machine ground plate

Method

Feeding the material

- With the Herbold SB series granulators with force feeding, the material is not fed in due to the force of gravity like in standard gravity-fed granulators, but is instead fed evenly to the rotor using one or more horizontal feeding screws. Due to its low height, it offers ideal loading options using a forklift, tipper box, or conveyor belt. The feed hopper can hold large quantities of product and is also suitable for use as temporary storage for large, intermittently produced quantities of material. The fill level of the hopper is monitored continuously by an ultrasonic sensor.

Control

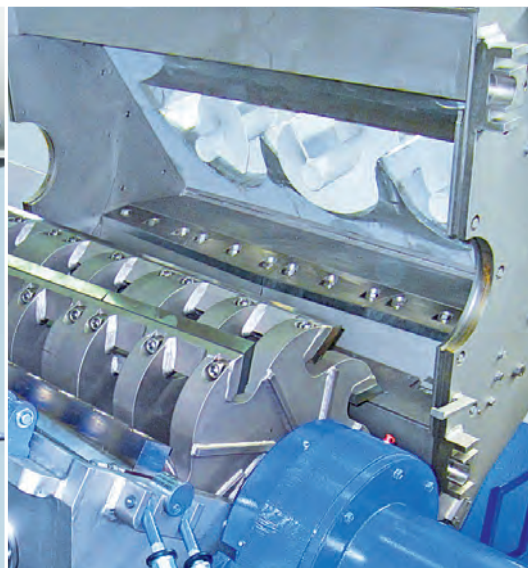
- The material is fed with the help of load-controlled feeding screws. This ensures the machine is operating at optimal capacity. The system is controlled automatically. Remote access to the control system is available as an option. This allows Herbold Meckesheim to help you in case of a system failure – an economical and fast troubleshooting option. In addition, the SB series granulators can detect when they are empty, after which the machine is automatically shut down.

Monitoring vibration

- The vibration sensor measures the vibrations arising during the operation of the machine. The sensor indicates when it is necessary to replace a knife and warns you about various hazardous operating states. This makes it easier to plan maintenance tasks. Due to the vibration sensor, operation of the SB series granulators is simple and safe.



Horizontal forced feeding device



Rotor



SMS 80/160 SB

The latest Herbold technology: 30 – 50 percent greater efficiency through **horizontal** force feeding

The newest horizontally fed generation of the SB series of granulators is fully optimized. Due to the modified granulator housing, it operates differently than gravimetric and vertically fed granulators – **for maximum efficiency and ease of operation.**

Advantages of horizontal force feeding

- **Higher throughput**
(30 to 50 percent higher performance for the same size granulator*)
- **Lower energy consumption**
(30 to 50 percent less power input required*)
- **Less fine material and less dust**
in the reground due to even loading of the rotor
- **Space-saving** due to its compact, low design
- **Large storage volume**
- **Lower noise emissions**
- **No trickling** of material into the grinding chamber when shut down
- **No need to run empty** for maintenance or inspection purposes
- **No risk** of the screw falling into the grinding chamber
- **Available in dry and wet versions**, also for use as components in a washing line

Wide range of applications

Herbold granulators with even force feeding are not only suitable for shredding PET bottles, but also suitable for use as secondary granulators for pre-shredded materials.

*Compared to conventional granulators

Typical feeding materials are:



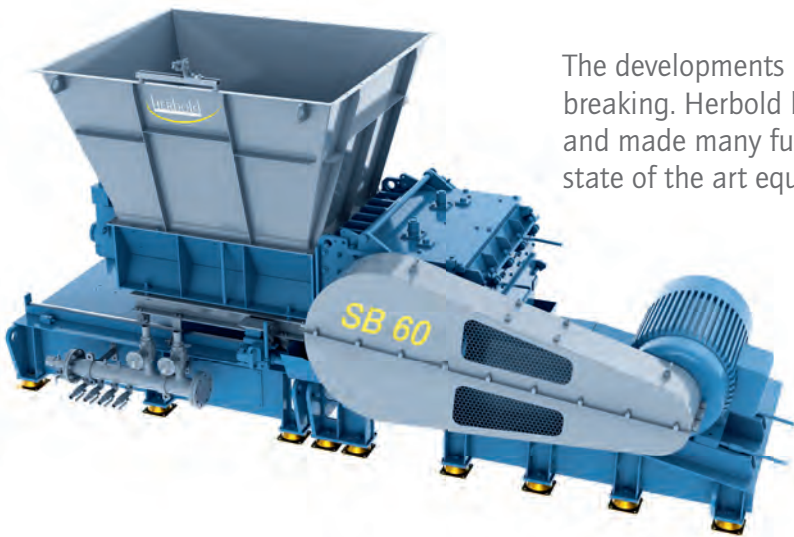
Pre-shredded battery cases

Pre-shredded pipes

Bottles

HDPE-materials

Pre-shredded films < 200 mm



The developments produced by Herbold Meckesheim are ground-breaking. Herbold has developed wet size-reduction with granulators and made many further improvements to recycling techniques using state of the art equipment.

Performance data of the SB series

Typ	SML series			SMS series		
	45/60	60/100	60/145	80/120	80/160	80/200
Rotor ø [mm]	450	600	600	800	800	800
Rotor width [mm]	600	1.000	1.450	1.150	1.600	2.000
Drive motor [kW]	30 - 55	55 - 110	75 - 132	90 - 120	90 - 160	110 - 150
Feeding opening [approx. mm]	600 x 620	980 x 1.300	1.488 x 1.300	1.150 x 1.300	1.580 x 1.300	1.900 x 1.300
Throughput*						
PET-bottles, screen 12 mm [t/h]	1 - 1,15	2 - 3	2,5 - 4	2,5 - 4,5	4 - 8	7 - 14

* NOTE: All performance data has been accumulated based on testing using the minimum and maximum horsepower with the granulator's knives in good condition.

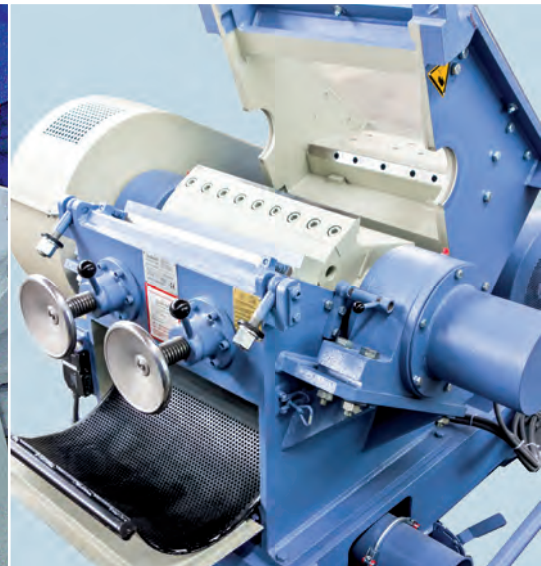




Rotor type F with exchangeable wear protection

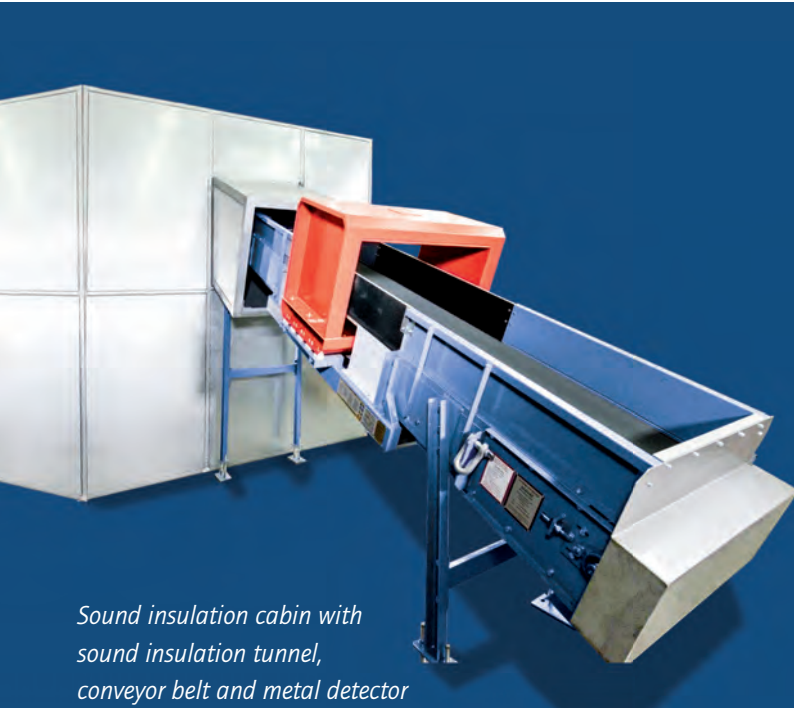
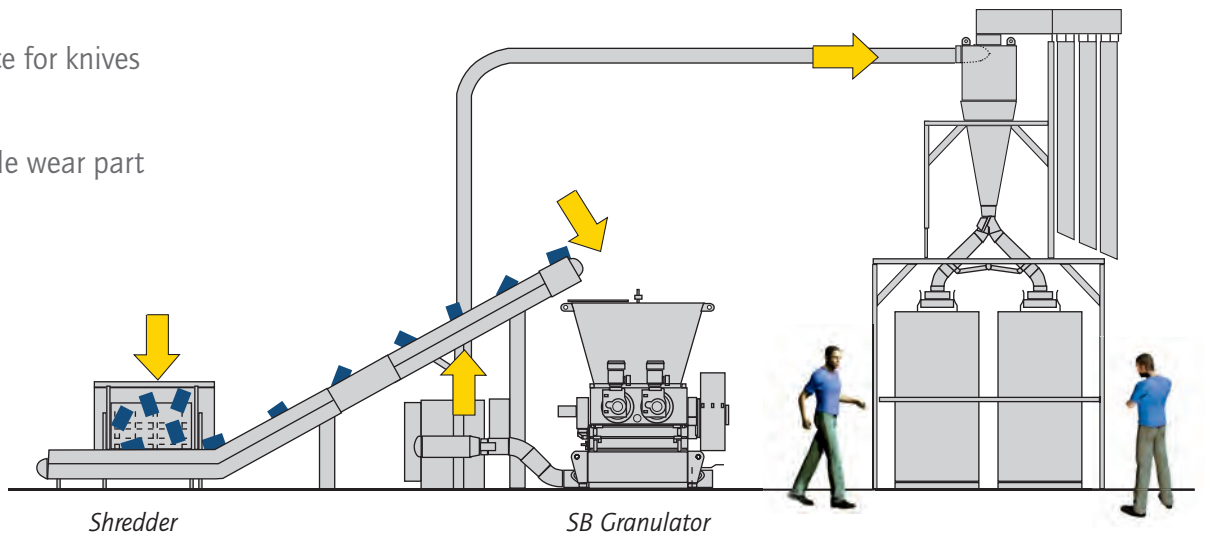


Housing with exchangeable armour plating



Hinge-mounted screen support of the SMS series

- 1 Support plate for knives
- 2 Rotor knives
- 3 Exchangeable wear part



Sound insulation cabin with sound insulation tunnel, conveyor belt and metal detector

Special features of the granulators of the SB series.

- The entire grinding chamber of all SB granulators is protected by exchangeable anti-wear plates.
- **Combination of a shredder and an SB granulator:**
Granulators of the SB series are ideal for a secondary size-reduction of pre-shredded materials. The in feed hopper (bunker), screw feed design and automatic controls ensure even feeding and maximum output to meet the machines capacity. Options include a sound insulation cabin, sound insulation tunnel, conveyor belt and metal detector.



Our product range

- Guillotines
- Shredders
- Hammer mills
- Granulators
- Pulverizing systems
- Washing systems & components
- Plastcompactors/agglomerators

Advantages of the Herbold granulators:

- Heavy-duty welded steel construction
- Inclined split housing design
- Outboard mounted pillow block bearings (bearing separated from the grinding chamber)
- Rotor and bed knives adjusted from the outside of the granulator
- Double cross cutting action
- Constant cutting circle due to adjustable rotor and bed knives
- Compact and space-saving design

You can find further information on our granulators SMS and SML in our brochures "Granulators SMS Series" and "Granulators SML Series".



For more information, please see our videos on our website www.herbold.com

Herbold Meckesheim GmbH
Industriestr. 33 | 74909 Meckesheim | Postfach 1218 | 74908 Meckesheim | Deutschland
Tel.: + 49 (0) 6226/932-0 | Fax: + 49 (0) 6226/932-495
E-Mail: herbold@herbold.com | Internet: www.herbold.com

Subsidiary in the US:

Herbold Meckesheim USA | Resource Recycling Systems Inc. | 130 Industrial Drive | North Smithfield, RI 02896, USA
Tel.: + 1 401 597/5500 | Toll-free (US/CDN): +1 888/612 RRSI (7774) | Fax: + 1 401 597/5535
E-Mail: info@herboldusa.com | Internet: www.herboldusa.com

All indications are not binding and subject to change. 04/2019

HERbold
MECKESHEIM

