

Friction Washer model series FA

The friction washer is made of a cylindrical trough with an inclined fast running paddle screw to de-water and clean ground material (film flakes, granules and the like). The screw is fixed in the housing by the means of two bearings and enclosed by a stainless steel screen. The ground material and water are fed from above at the lower end of the trough. Then the material is washed while being transported to the outlet at the top of the trough. Fines and water are thrown through the fine screen to the outside while the friction of the high-speed screw cleans the material. The drain is located at the lower end of the trough. The screen is automatically cleaned by means of a water-rinsing unit.

The trough is equipped with a 3600 removable screen (standard hole diameter: 2,5 mm), a rinsing device ensures for regular cleaning of the interior housing.

This unit is used to wash highly contaminated film flakes for example. They are used for discharging treated material mixed with water from a wet grinder. This also can be used in special cases where the friction washer can be installed in front of or after the washing tanks and hydrocyclone units.



Fig. 1: Friction Washer model series FA 3000

Technical data:

Model	FA 3000	FA 60/300
Access to the rotor area	removable housing cover, cover screwed-on	Pneumatically hingeable upper part with quick release clamps
Functional principle	Exploitation of the centrifugal forces for washing and rinsing under water	
Foreign body separation	Separation of contaminations such as label fibres and dirt	
Exchange wear parts	Removable paddles on the rotor and easily exchangeable screen	
Rinsing with hollow shaft	Yes, as an option	no
Standard material	Housing stainless steel; rotor standard steel	Housing galvanized, rotor standard steel
Bearings	Flange bearing	Pillow block bearing
Bearings	Flange bearing	Pillow block bearing

Technical data:

Model	FA 3000	FA 60/300
Conveying length: (mm)	3000	3000
Screw diameter: (mm)	500	600
Rotor speed (rpm)	1000	1000
Screen perforation standard: (mm)	2,5	2,5
Screen perforation maximum: (mm)	3	3
Drive standard: (kW)	18,5	22-37
Drives: (kW)	11-22	30-45
Weight: (kg)	1300	3400
Throughput approx.:(t/h)*		
HDPE	3,5	6
LDPE	2	3
PET	3,5	6

* Specifications are not binding since the performance may vary according to the material and the feeding size.

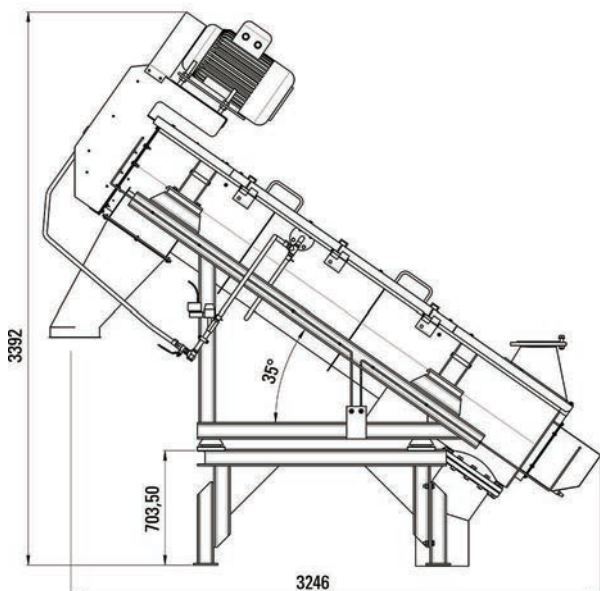


Fig. 2: Friction Washer model series FA 3000

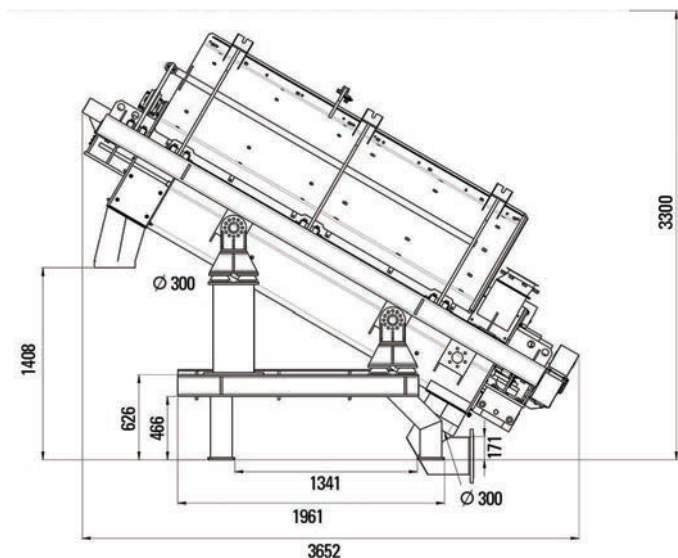


Fig. 3: Friction Washer model series FA 60/300

Our Product Range

Size Reduction

- ▶ Shredder
- ▶ Granulators
- ▶ Pulverizing Systems

Washing / Separation Systems & Components

- ▶ Pre-washing Units
- ▶ Friction Washers
- ▶ Separation Tanks and Hydrocyclones
- ▶ Mechanical and Thermal Drying
- ▶ Water Processing

Agglomeration

- ▶ Plastcompactors

Service

- ▶ Parts and Overhauls
- ▶ Inspections and Trouble Shooting
- ▶ Upgrades and Performance Service

HERBOLD Meckesheim GmbH

Industriestr. 33 • 74909 Meckesheim • Fon: + 49 (0) 6226 / 932-0 • Mail: HERBOLD@HERBOLD.com • Web: www.HERBOLD.com

Specifications are not binding and subject to change without notice. 10 / 2019